

12-Strand Class II Tuck-Bury Eye Splice

The Tuck-Bury splice is designed as a short splice for HMPE (Dyneema® fiber) 12-strand ropes only.

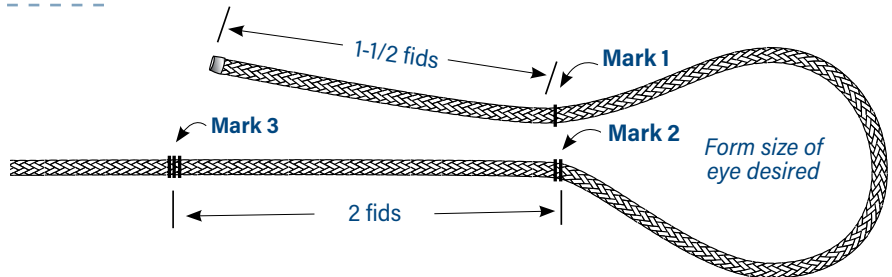
Note: This splice is not suitable for Saturn-12 ropes. Follow the modified 12-Strand Class II Tuck-Bury Eye Splice for Saturn-12.

STEP 1 MEASURING AND MARKING

Tape end to be spliced. Measure 1-1/2 fid lengths from the bitter end and mark. This is Mark 1. Put tight tape wrap at Mark 1.

1A From Mark 1, form a loop the size of the eye desired and mark. This is Mark 2.

1B From Mark 2, measure down the rope 2 fids and mark. This is Mark 3.



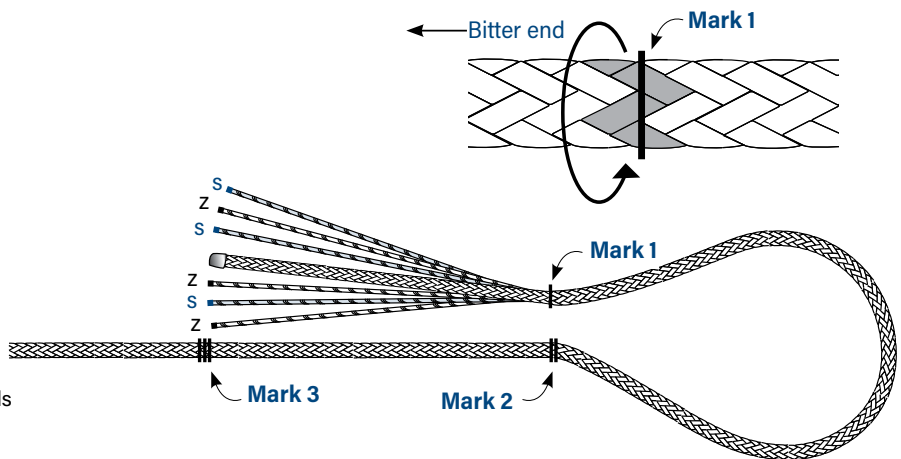
STEP 2 TAPERING THE TAIL

At Mark 1, pull out half the strands (3 "S" and 3 "Z") by rotating around the rope and pulling out strands in the pattern shown:

Z Strand = counter-clockwise twist
S Strand = clockwise twist

This should leave 6 strands still braided down the middle. Tightly tape the ends of the 6 individual strands, as well as the end of the remaining braided portion.

On one side you should have 2 S strands and 1 Z strand. On the other side, you should have 2 Z strands and 1 S strand.

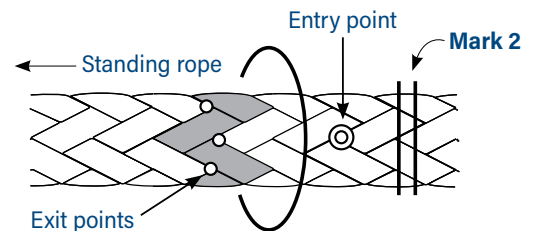


STEP 3 ROUTING THE STRANDS

3A MARKING ENTRY AND EXIT POINTS

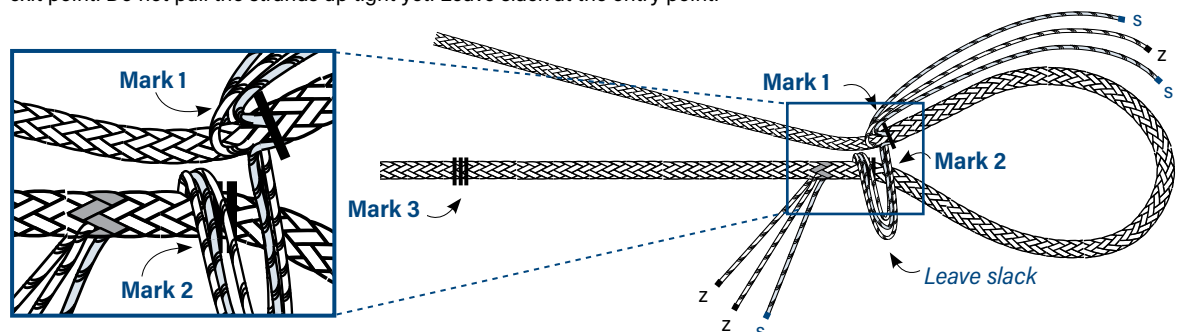
Make a mark at the intersection of an S and a Z strand at Mark 2. This will be the entry point for all 6 strands and the tail when it is buried. The entry point should be on the side of the rope facing the opposite leg of the eye.

From the entry point, count 2 picks down the rope and mark 6 strands around the circumference of the rope. There will be 3 S strands and 3 Z strands marked. At each intersection of an S and a Z strand, mark an exit point. There will be 6 exit points marked.



3B ROUTING 3 STRANDS

The first 3 strands are now routed from the entry point at Mark 2 to the exit point. Each strand is routed separately, entering at the entry point and exiting at its own exit point. Do not pull the strands up tight yet. Leave slack at the entry point.

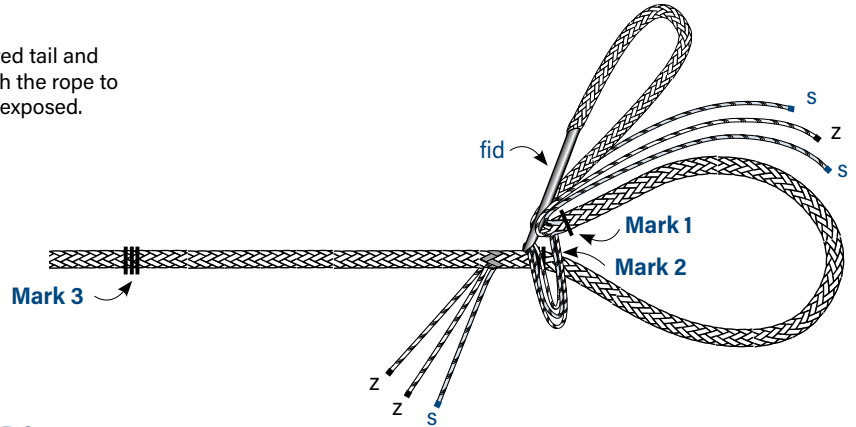


12-Strand Class II Tuck-Bury Eye Splice



3C BURYING THE TAIL

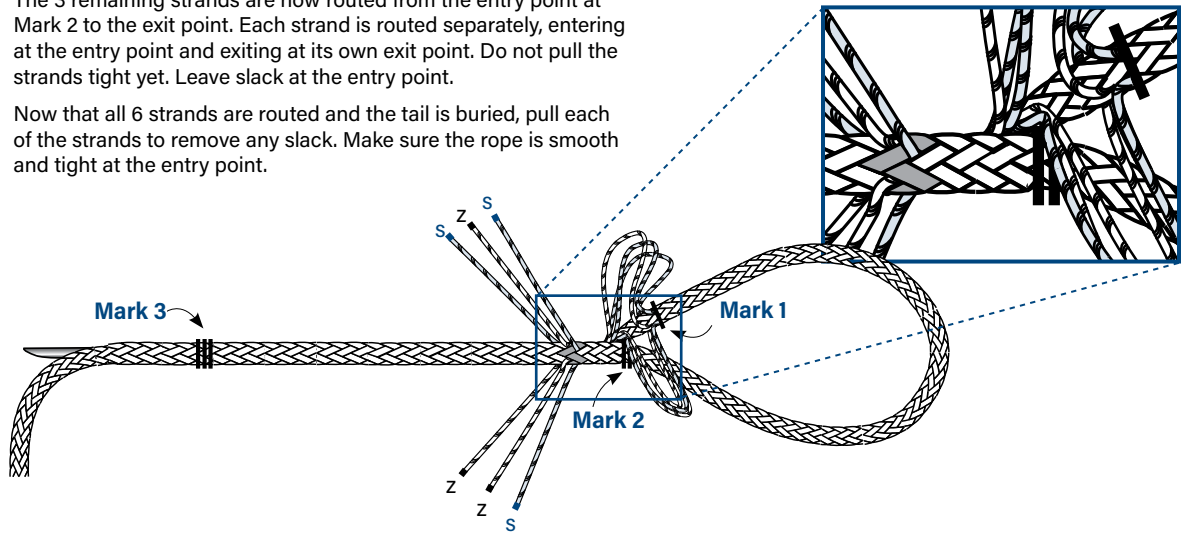
Attach a fid to the end of the tapered tail and bury it from the entry point through the rope to exit beyond Mark 3. Leave the tail exposed.



3D ROUTING LAST 3 STRANDS

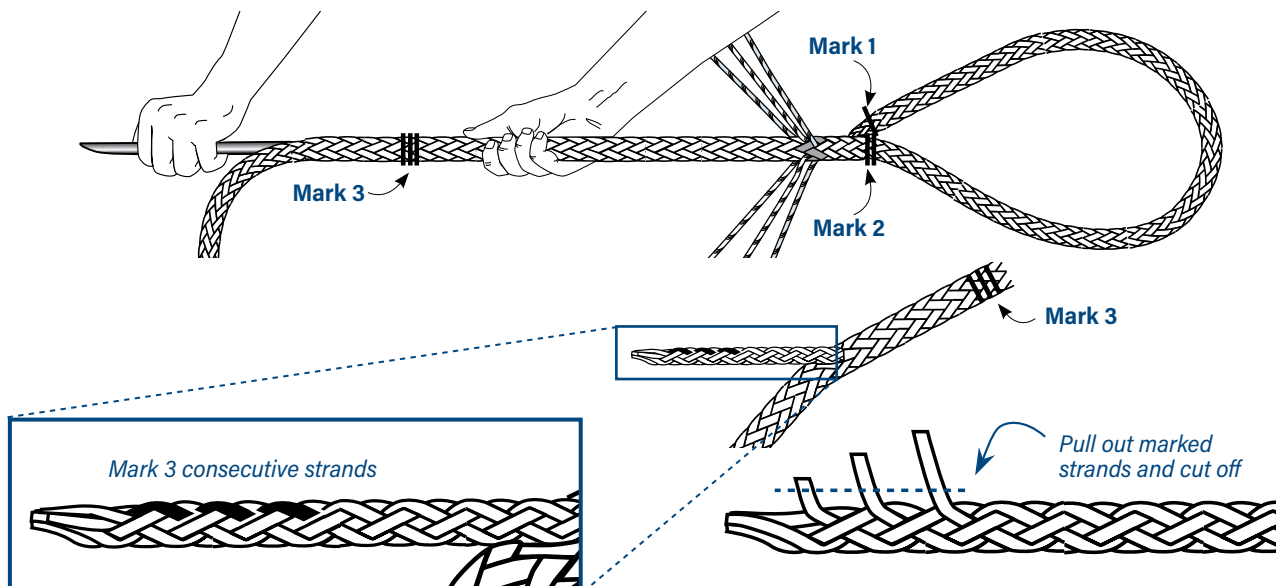
The 3 remaining strands are now routed from the entry point at Mark 2 to the exit point. Each strand is routed separately, entering at the entry point and exiting at its own exit point. Do not pull the strands tight yet. Leave slack at the entry point.

Now that all 6 strands are routed and the tail is buried, pull each of the strands to remove any slack. Make sure the rope is smooth and tight at the entry point.



3E TAPERING TAIL

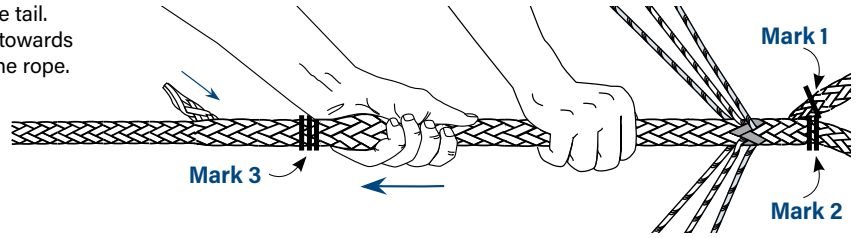
At Mark 3, pull the tail out until Marks 1 and 2 meet. Pull any slack out of the 6 strands that are routed. Pull out the tail and mark 3 consecutive strands as shown. Pull out all 3 and cut.



12-Strand Class II Tuck-Bury Eye Splice

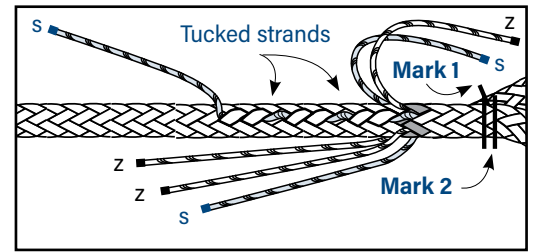
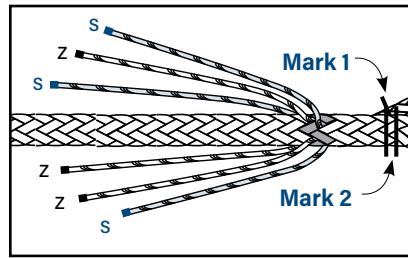
3F SMOOTHING SLACK OVER TAPER

Remove the tape from the end of the tail. Now smooth the rope from the eye towards Mark 3, the tail will disappear into the rope. Smooth the rope to remove any remaining slack. Check that the 6 routed strands are snug.

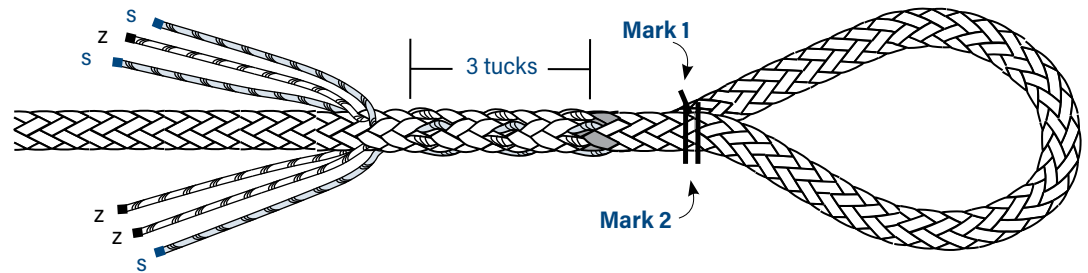


STEP 4 TUCKING THE STRANDS

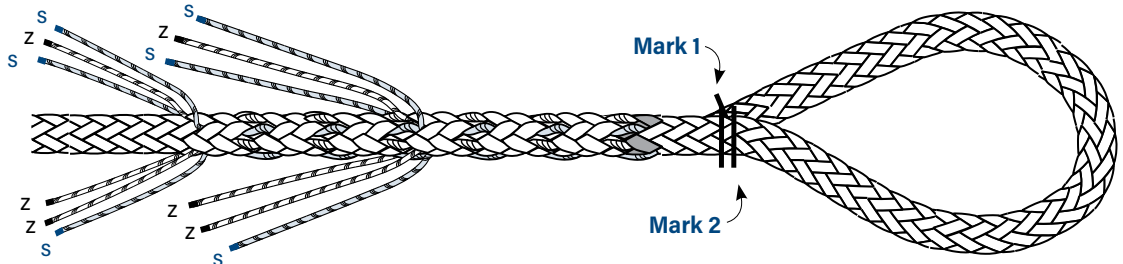
The strands are now tucked into the braid of the rope. 1 complete tuck consists of passing a strand over 1 strand and under 2 strands. The tucks proceed down the same row of picks straight down the body of the rope.



4A Do 3 complete tucks for all 6 strands. Each strand is always tucked under the same line of the braid so that the tucks progress straight down the body of the rope.

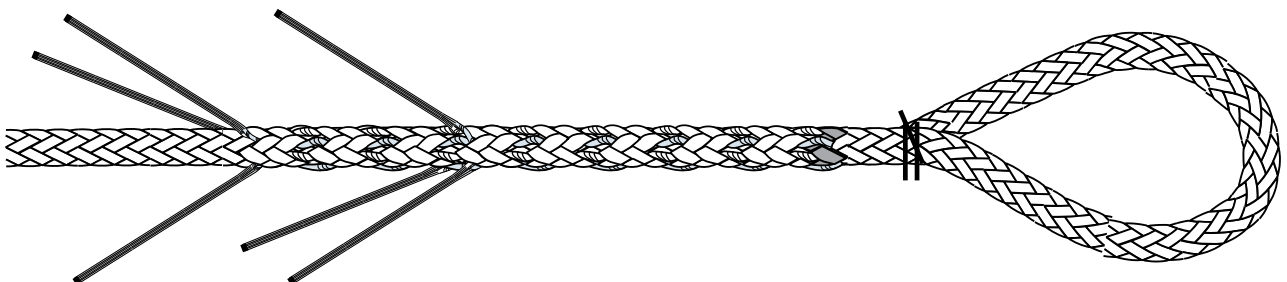


4B After completing the first 3 tucks, remove 1/2 of the volume of the twisted yarns. Cut yarns from each of the 6 strands near the taped ends and complete 3 more tucks with the reduced volume strands.



STEP 5 GROUPING THE STRANDS

Group tail strand pairs with closest exiting point into 6 separate groups.

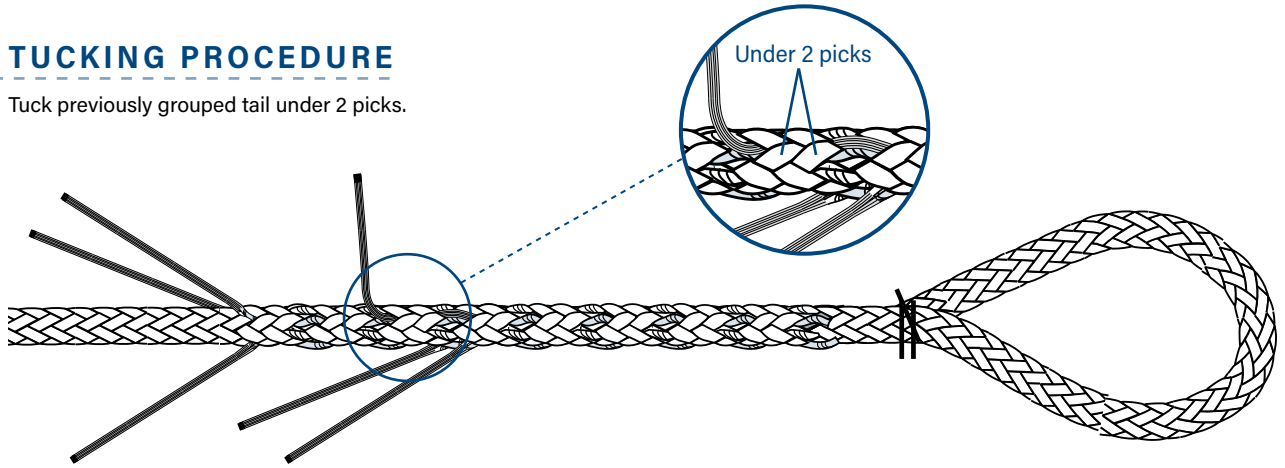


12-Strand Class II Tuck-Bury Eye Splice



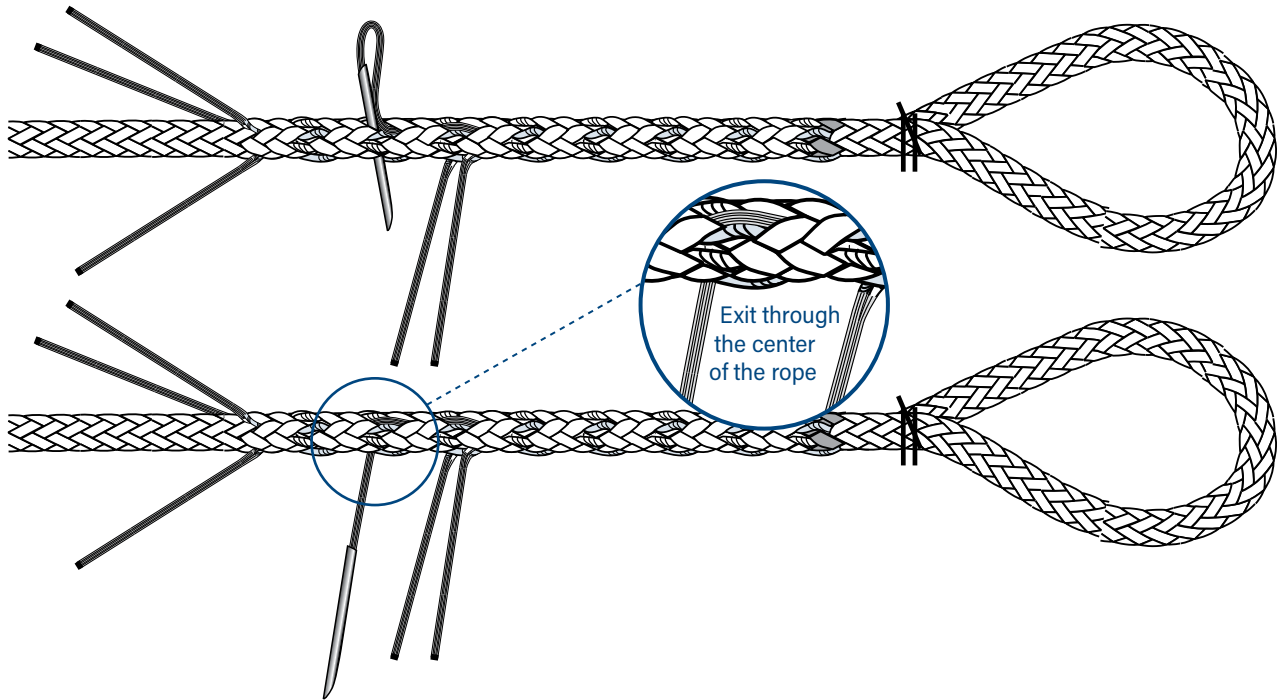
STEP 6 TUCKING PROCEDURE

Tuck previously grouped tail under 2 picks.



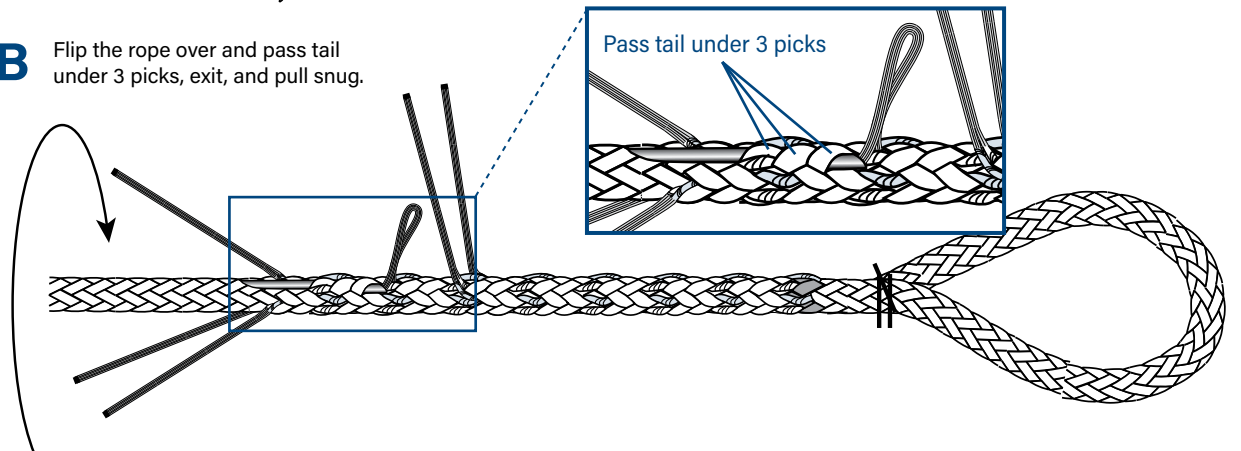
6A

Pass tail through to the other side, passing through the center of the rope.



6B

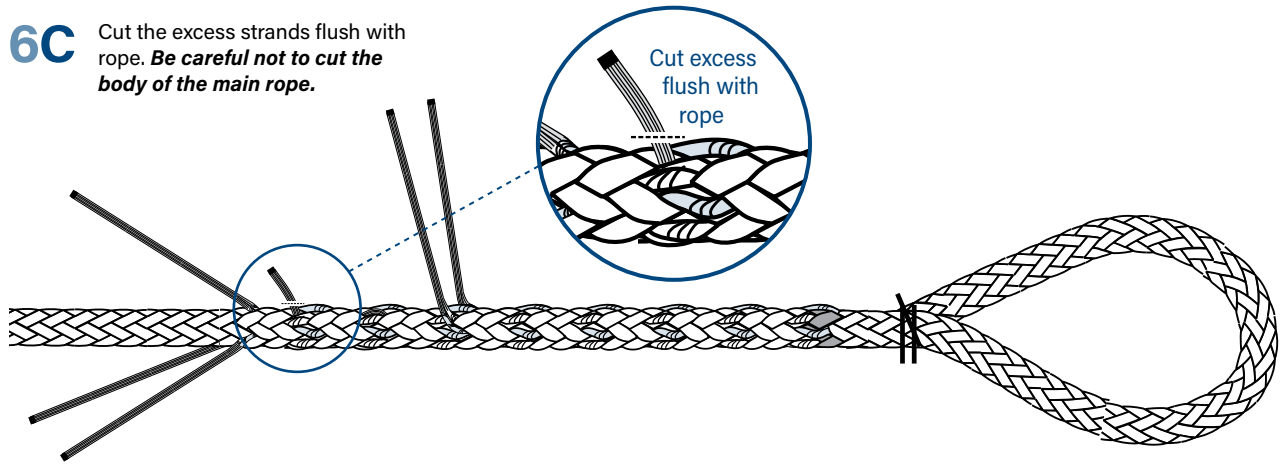
Flip the rope over and pass tail under 3 picks, exit, and pull snug.



12-Strand Class II Tuck-Bury Eye Splice



6C Cut the excess strands flush with rope. *Be careful not to cut the body of the main rope.*



STEP 7 FINISHING THE SPLICE

Follow Step 6 until all 6 tails are tucked and cut.
Your finished Tuck-Bury Eye Splice will look like this:

